

SDB
SIDE DUMP BUCKET

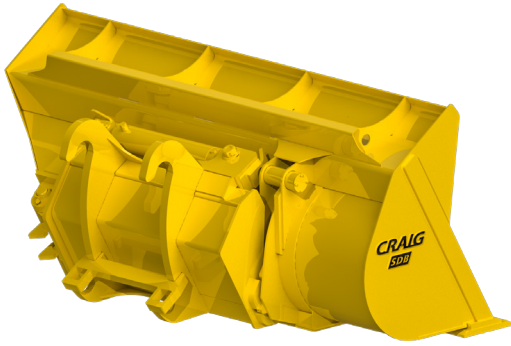


CRAIG™

SDB

SIDE DUMP BUCKET

FEATURES AND BENEFITS



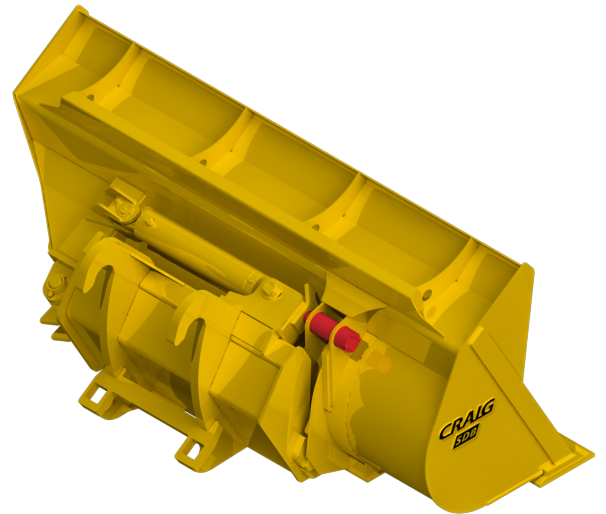
Ideal for tight spaces where conventional unloading is dangerous or not possible, the Craig Side Dump Bucket features a hydraulic cylinder and hinge point that allows the bucket to unload laterally while still allowing for conventional loading of the bucket.

SPRING LOADED MECHANICAL LOCK

To prevent the bucket from moving when the cylinder is not engaged a spring loaded mechanical lock comes standard on the Side Dump Bucket. The cylinder lug on the bottom of the cylinder barrel is pinned into a slotted hole that allows the cylinder to move to engage and disengage the mechanical lock as the bucket is opened and closed. The spring style lock may disengage when driving over rough terrain.

OPTIONAL HYDRAULIC LOCK

Lock and unlock your bucket with the Craig hydraulic locking mechanism. Hydraulic lock comes complete with sequence valve to ensure locking and dumping cylinders run in sequence for smooth operation. Ideal for operating in rough terrain.



Spring loaded mechanical lock comes standard on the Side Dump Bucket.

CUSTOMIZABLE DESIGN

Right hand dumping configurations available. Custom widths and capacities are available to fit your specific material handling needs. Side Dump Buckets are also available with hanging tine lugs or complete hanging tine kits installed.



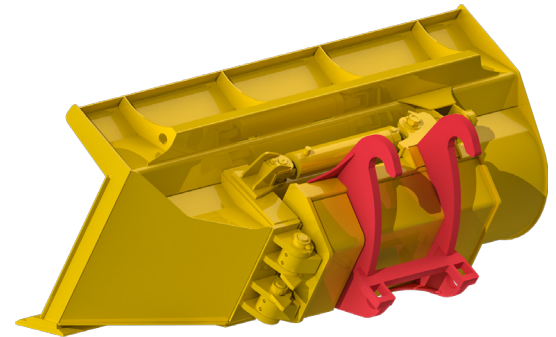


HOOK-UP CONFIGURATIONS

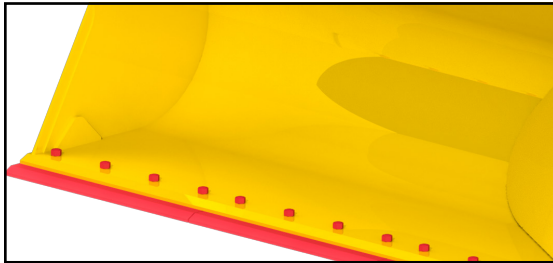
The Craig Side Dump bucket is available in a variety of hook-up configurations including Craig Quik Key, OEM coupler, and OEM pin-on. This allows the bucket to easily fit into your existing fleet of attachments and machines without the need of a new coupler.

REBUILDABLE COMPONENTS

All cylinder pins and hinge points ship complete with bushings. This reduces rebuild costs and improves the longevity of the bucket. All hinge points are greasable to reduce wear.



A variety of OEM hook-up configurations are available to work with your machine.



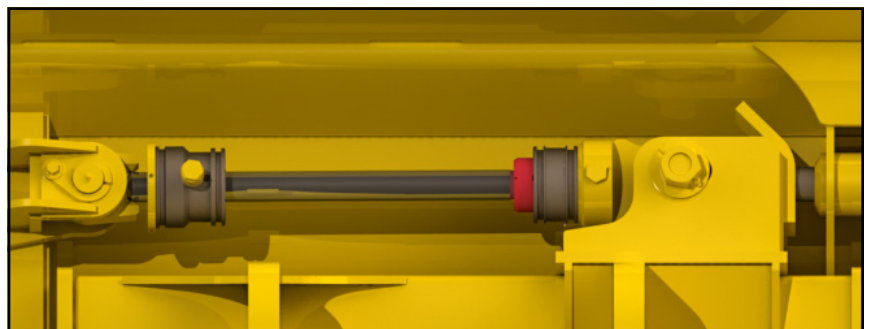
REPLACEABLE BOLT-ON EDGES

Each bucket drilled to work with the OEM brand of cutting edges requested comes complete with cutting edges installed.

CYLINDER DESIGN

The cylinder on the Side Dump Bucket features a cushion head design. This feature allows the bucket to have a gradual deceleration as the cylinder reaches the end of its stroke when dumping. As this bucket dumps to the side rather than directly in front of the loader it is important to absorb as much of the impact as possible to prevent the loader from rocking side to side. This design also extends the longevity of the bucket and the machine for years of reliable service.

An inside view of the cylinder on the Side Dump bucket. Highlighted in red is the cushion head component that allows the bucket to have a gradual deceleration when dumping.





HARTLAND OFFICE

96 McLean Avenue
Hartland, New Brunswick
E7P 2K5 Canada

Ph: (506) 375-4493



CAMBRIDGE OFFICE

315 Thompson Drive
Cambridge, Ontario
N1T 2B3 Canada

Ph: (519) 623-9500



BLACKFALDS OFFICE

88 27323 TWP Rd 394
Lacombe County, Alberta
T4M 0S1 Canada

Ph: (403) 356-0048



LAWRENCEBURG OFFICE

408 Commerce Way
Ethridge, Tennessee
38456 USA

Ph: 1-800-867-1006



1-800-565-5007 • WWW.CRAIGATTACHMENTS.COM