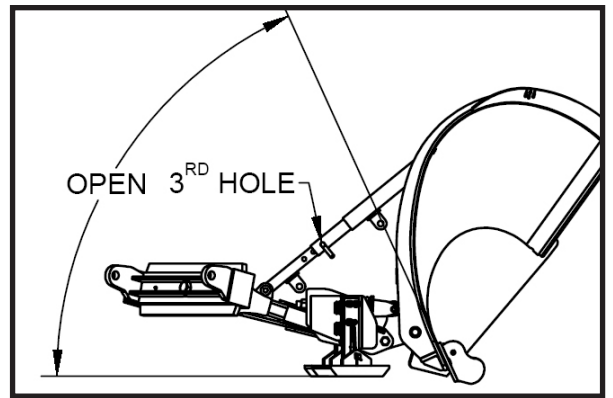
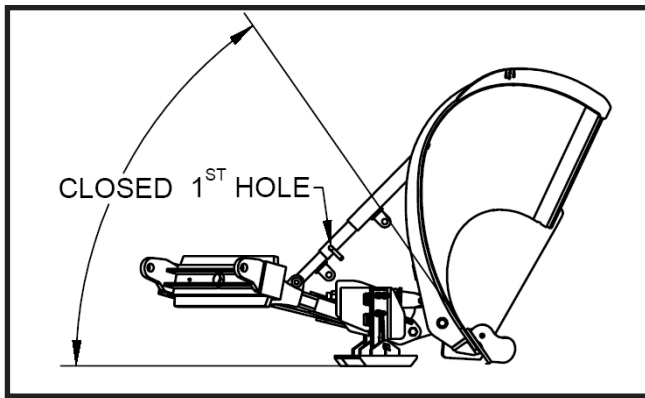


HOW TO SET THE ANGLE OF ATTACK ON A CRAIG ONE WAY PLOW

TOLL FREE TECHNICAL SUPPORT: 1-800-565-5007

Craig one way plows have a built in adjustment which allows the operator to adjust the plow for different plowing conditions. Depending on the plow model, there could be one adjustable brace or two. The figures below highlight the location of the adjustable braces and their possible positioning.



Most Craig one way plows have three adjustment holes. Depending on the model of plow, these adjustment holes correspond to a different angle of attack.

Typically the first hole is useful for fall/spring conditions when the roadway may not be frozen solid, as it does not scrape as hard on the roadway. The third hole is normally used for peeling hard packed snow, and will scrape the road much better than the first hole. The tradeoff for plowing in this position is that the plow may have a greater tendency to chatter or hop on the road surface or gouge the roadway if not frozen.

HARTLAND BRANCH
96 McLean Avenue
Hartland, New Brunswick
E7P 2K5 Canada

CAMBRIDGE BRANCH
315 Thompson Drive
Cambridge, Ontario
N1T 2B3 Canada

BLACKFALDS BRANCH
88 27323 TWP Rd 394
Lacombe County, Alberta
T4M 0S1 Canada

LAWRENCEBURG BRANCH
408 Commerce Way
Ethridge, Tennessee
38456 USA